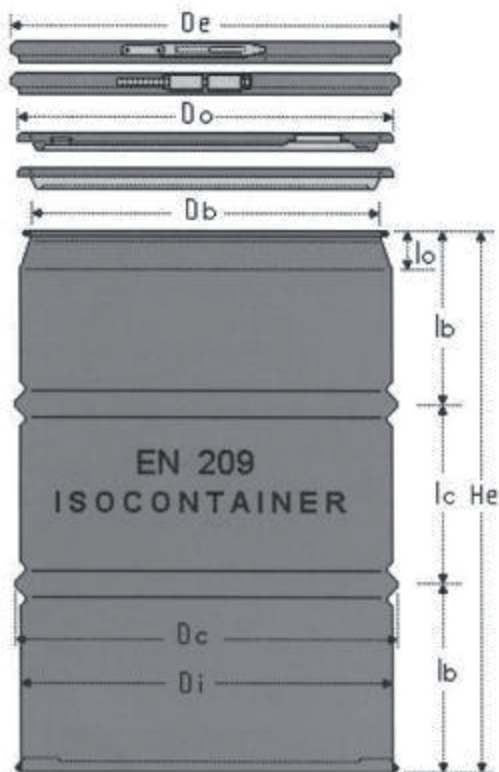


**MAIN DIFFERENCES BETWEEN TWO DRUMS**  
**OPEN HEAD**  
**EN 209 :1999**

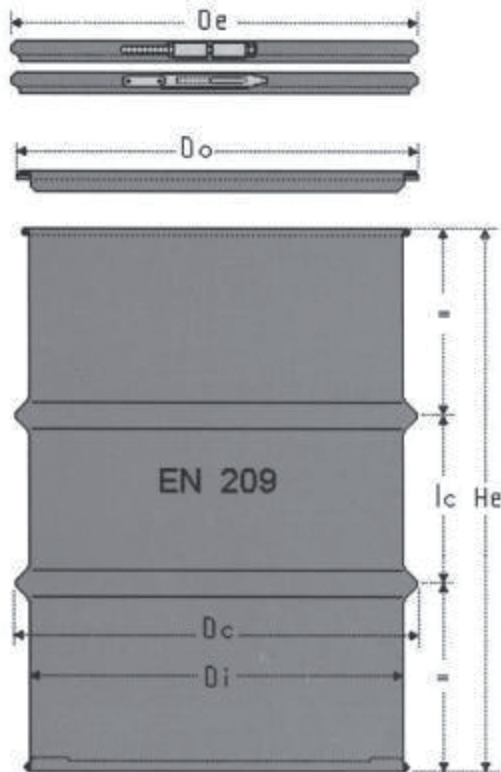
type

**ISOCONTAINER**



type

**NORMAL**



**ISOCONTAINER**

**NORMAL**

	<b>ISOCONTAINER</b>	<b>NORMAL</b>
<b>Db</b> Top body inside diameter	<b>545</b> ± 1,5	<b>571,5</b> +1 -0,5
<b>Di</b> Body inside diameter	571,5 +1 -0,5	571,5 +1 -0,5
<b>Dc</b> Body outside diameter	<b>585</b> MAX	<b>596</b> MAX
<b>De</b> Ring outside diameter	<b>585</b> MAX	<b>610</b> MAX
<b>He</b> Overall Height	880 ± 3	880 ± 3
<b>Ic</b> Rolling beads distance	280 ± 2	280 ± 2